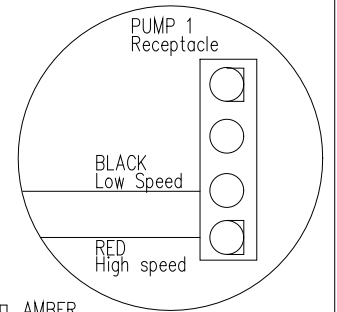
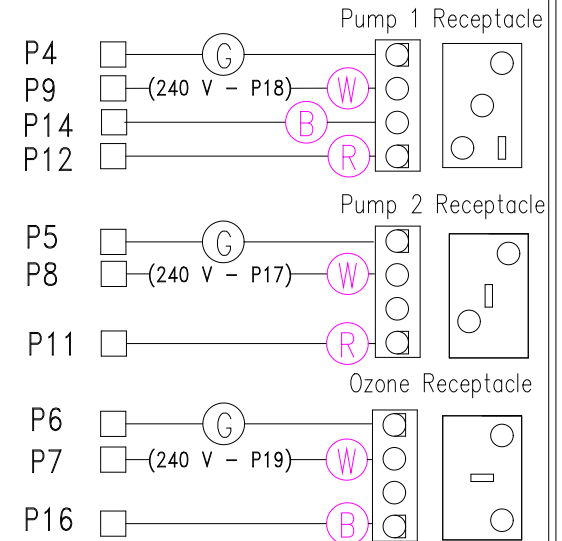
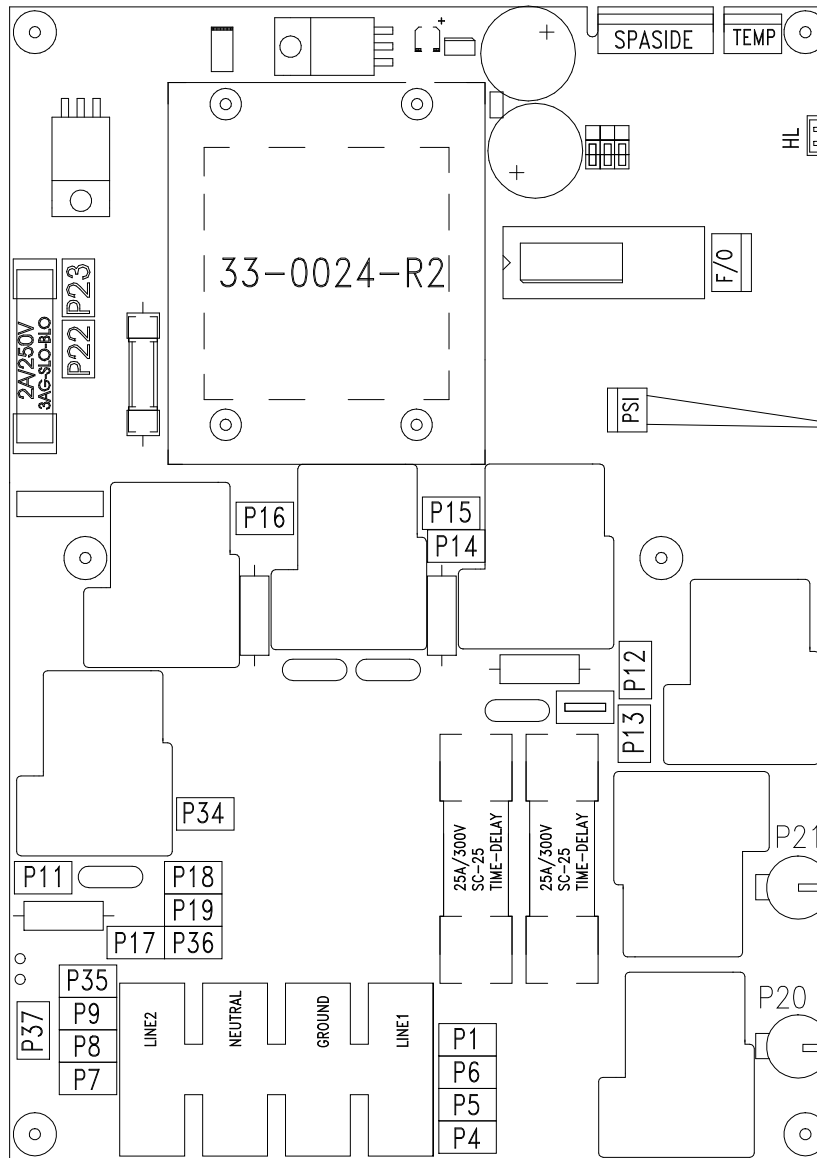
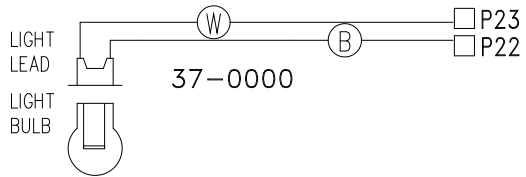
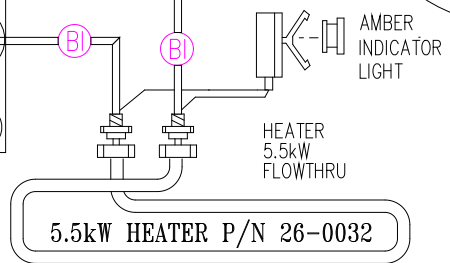


JUMPER SETTINGS

- JMP1 = HC MODE
 JMP2 = °F UNITS
 JMP3 = Circ. Pump



LEGEND	
	- 1/4" QUICK CONNECT
	- 1/4" QUICK CONNECT PIGGYBACK
	- FORK CONNECTOR
	- RING CONNECTOR
	- SOCKET CONNECTOR
	- PIN CONNECTOR



HYDRO-QUIP
CORONA, CA (909) 273-7575

Manufacture Notes: Please Note Black Wire is Low Speed on Pumps 1 and 2

Dwg. No. **J220A0-DKQY-N**

Drawn	Rev
JLN	8
Date	6.4.01
Diagram No.	4800

Wire Color Code	
B - Black	G - Green
Br - Brown	Bl - Blue
R - Red	V - Violet
O - Orange	W - White
Y - Yellow	Gr - Gray